

VBC19



V-BELT DRIVEN LIVE ROLLER CURVE (1.9 in. dia. x 16 ga. rollers)

The VBC19 live roller curves are compatible with straight sections and spurs providing flexibility to your conveyor line. They are available self-powered or can be slave driven from a straight section or spur.

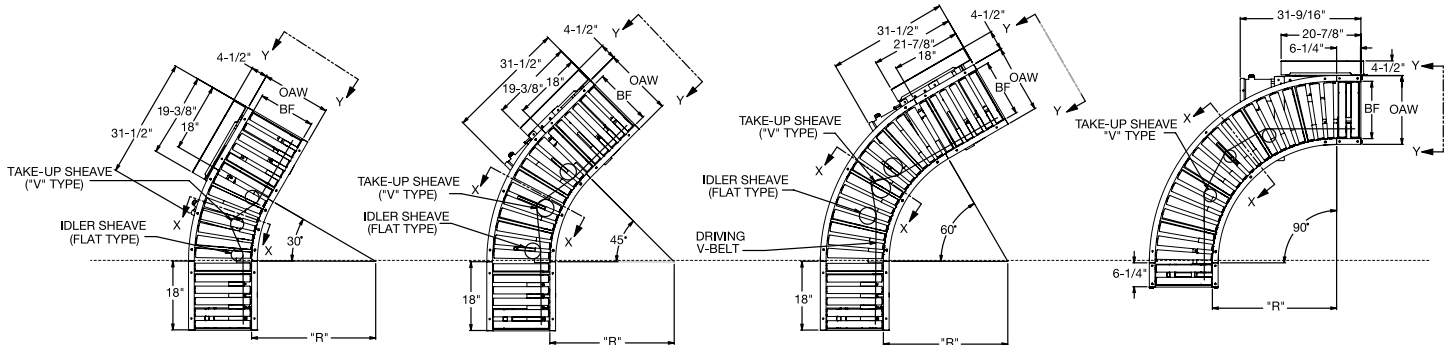


- 12 widths
- Reversible
- Tapered tread rollers
- 30, 45, 60 and 90 degree curves

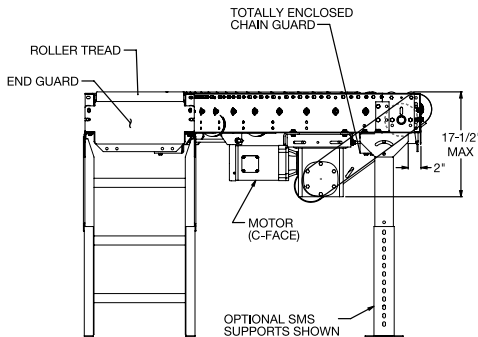
BETWEEN FRAME WIDTH	OVERALL FRAME WIDTH	"R"	NUMBER OF ROLLERS *				WEIGHT (LBS.)			
			30°	45°	60°	90°	30°	45°	60°	90°
13"	16"	24"	5T/12S	8T/12S	10T/12S	16T/4S	317	323	330	336
15"	18"		7T/12S	10T/12S	14T/12S	20T/4S	300	336	343	349
17"	20"						343	350	357	364
19"	22"						357	364	371	378
21"	24"						371	378	386	393
23"	26"						386	393	401	408
25"	28"	401					409	417	425	
27"	30"	48"	10T/12S	14T/12S	22T/12S	30T/4S	417	425	434	442
31"	34"						529	540	551	562
33"	36"						550	562	573	585
37"	40"						589	601	613	625
39"	42"						612	625	638	651

*T= Tapered, S- Straight

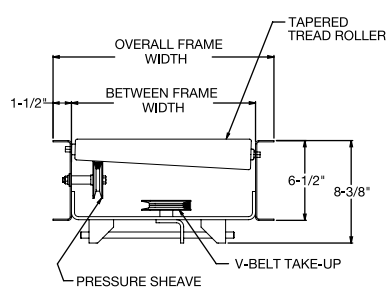
PLAN VIEW – 30°, 45°, 60° AND 90° CURVES



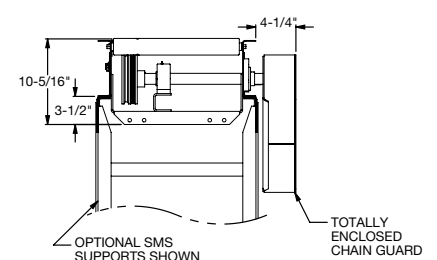
END/SIDE VIEW



SECTION VIEW X-X



SECTION VIEW Y-Y



Note: Curves are non-accumulating

STANDARD SPECIFICATIONS

BED – 6 1/2 in. deep x 1 1/2 in. flange x 12 ga. powder coated steel channel with 2 1/2 in. dia. tapered to 1 11/16 in. dia. x 14 ga. galvanized rollers. 1.9 in. dia. x 16 ga. galvanized rollers provided in tangent sections.

CURVES – 30, 45, 60 and 90 degree curves. 24 in., 32 1/2 in. or 48 in. radius dependent upon between frame widths.

COUPLINGS – Butt type for connecting to VBS19, VBCS19, VBSS19, BDS19T or BDS19M conveyors

END DRIVE – Mounted underneath bed section on outside radius

DRIVE BELT – Endless B-section V-belt, industrial grade

POSITIVE DRIVE PRESSURE SHEAVES – 2 1/2 in. dia. with 3/8 in. bore.

IDLER SHEAVE – 4 in. dia. x 5/8 in. bore V-type and/or 5 in. dia. 5/8 in. bore flat-type.

TAKE-UP SHEAVE – 4 3/8 in. dia. x 5/8 in. bore V-type sheave to maintain proper V-belt tension

BEARINGS – Tread rollers have grease packed ball bearings. Flange and pillow block bearings are sealed, pre-lubricated.

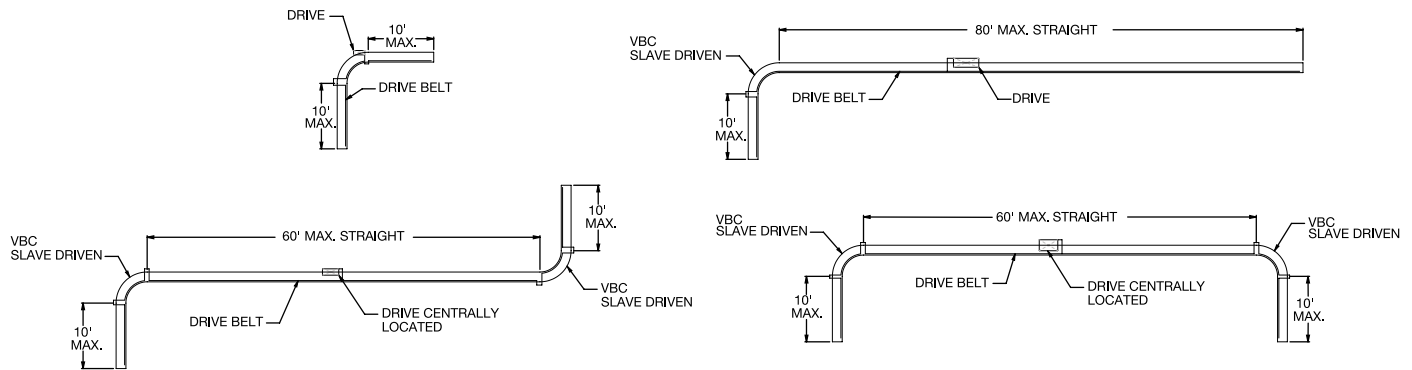
CONVEYING SPEED – Constant 65 FPM

SPEED REDUCTION – Sealed worm gear speed reducer with No. 50 roller chain to drive shaft

MOTOR – 1/2 HP – 230/460V-3 phase 60 Hz totally enclosed fan cooled, energy efficient

CAPACITY – 500 lbs. total distributed live load

Horsepower required to slave-drive V-belt curves from straight sections affects the maximum length of straight sections due to the capacity of the driving V-Belt. The four arrangements shown, illustrate basic slave limitations. Other arrangements are possible.



OPTIONAL EQUIPMENT

FLOOR SUPPORTS – SMS floor supports are available with a wide range of adjustments. Specify top of roller elevation. One support is required at every bed joint and at the ends of conveyor. Holes in feet are provided for lagging to floor. Knee braces supplied on SMS-7 support and above.

CONVEYING SPEED – Other constant and variable speeds. Note: Capacity affected with speed change.

- Underhung and side mounted drives: 25 – 120 FPM in any increment
- Shaft mounted drive: 25, 30, 45, 50, 65, 85 and 105 FPM nominal
- Contact factory for speeds not listed

END DRIVE – Mounted on inside radius. Minimum elevation 18 7/8 in.

SHAFT MOUNTED DRIVE – Drive unit mounted on extended drive shaft. Mounting bracket and torque arm allow for multiple mounting positions. Minimum elevation:

- Standard sheave retainer: 10 1/4 in. TOR
- Low elevation sheave retainer: 8 3/4 in. TOR

SIDE MOUNTED DRIVE – Motor reducer unit mounted to side of conveyor. Minimum elevation:

- Standard sheave retainer: 10 1/4 in. TOR
- Low elevation sheave retainer: 9 1/2 in. TOR

GUIDE RAILS – Adjustable channel guide rails, fixed angle and channel guide rails. Note: If product comes in contact with guide rails, product flow will be affected.

OTHER ACCESSORIES – Poly-tier supports, ceiling hangers. See accessory section.

SLAVE DRIVEN – Omit standard drive and slave drive curve from VBS19, VBCS19, VBSS19, BDS19T, or BDS19M conveyors. Minimum elevation 11 in. (Provide sketch illustrating location of slave connection).

MOTORS – Inverter duty, premium energy efficient, single phase, brake motor, other characteristics. 1 HP maximum.

ELECTRICAL CONTROLS – One direction manual start switch, reversing drum switch, non-reversing and reversible IEC starters and push-button stations, AC variable frequency drive