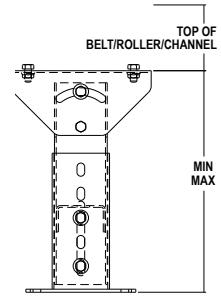


FLOOR SUPPORTS AND CASTERS

STATIONARY FLOOR SUPPORTS MS, LS, RS, & HS TYPES

- 1) Select support type. Refer to standard specifications on appropriate catalog page per model. RS, LS & MS supports rated for 1500 lbs. maximum. HS rated for 4000 lbs. maximum.
- 2) Model chart will list top of belt/roller/channel for each model.
- 3) Add the dimension shown to the appropriate minimum and maximum elevation from the coordinating floor support chart to the right. This will give you the elevation adjustment for model selected.



Contact Stockyard for available supports.

Example: Model TA uses MS type supports per the specifications on page 5 of this catalog. On the TA model support chart below the dimension is 4 1/8". The chart to the right shows MS-6 support minimum and maximum elevations to be 23 3/8" to 35 3/8". When the 4 1/8" dimension is added to the minimum and maximum elevations, total elevations on a Model TA with MS-6 supports is 27 3/4" to 39 3/4".

MODELS	Top of Roller
SSR, SSRC, SSRS, Ball Transfer In SSR	2 3/4
SW, SWC, SWS, Ball Transfer In SW	2 13/16
138-NSP, NSPC, NSPS, NSPSS, 138-NSPEZ	9 3/4
138-ACC, LRC, LRS, LRSS	6 3/4

Support	MIN	MAX	Support	MIN	MAX
LSL-1	2	3	LS-05	19 15/16	25 15/16
LSL-2	3	4 3/4	LS-06	23 15/16	35 15/16
LSL-3	4 3/4	7 3/8	LS-07	33 15/16	45 15/16
LS-01	7 5/16	9 1/16	LS-08	45 15/16	57 15/16
LS-01.2	8 5/16	10 1/16	LS-09	57 15/16	69 15/16
LS-01.4	9 5/16	11 1/16	LS-10	69 15/16	81 15/16
LS-02	10 5/16	13 5/16	LS-11	79 15/16	91 15/16
LS-03	12 15/16	15 5/16	LS-12	91 15/16	103 15/16
LS-04	15 15/16	21 5/16			

MODELS	Top of Roller
138 NSP Drive	9 3/4
138 NSPEZ Drive	9 3/4

Support	MIN	MAX	Support	MIN	MAX
LSN-01	12 3/16	13 15/16	LSN-06	28 11/16	40 11/16
LSN-01.2	13 3/16	14 15/16	LSN-07	38 11/16	50 11/16
LSN-01.4	14 3/16	15 15/16	LSN-08	50 11/16	62 11/16
LSN-02	15 3/16	18 3/16	LSN-09	62 11/16	74 11/16
LSN-03	17 11/16	20 11/16	LSN-10	74 11/16	86 11/16
LSN-04	20 11/16	26 11/16	LSN-11	84 11/16	96 11/16
LSN-05	24 11/16	30 11/16	LSN-12	96 11/16	108 11/16

MODELS	Top of Belt or Roller
20-CR, CRC, CRS, CRSS, 19/20-SR, SRC, SRS, Ball Transfer	3 3/4
TR	4 1/4
TA	4 1/8
TL, 190-LR, 190-ACC, LRC, LRS, LRSS, 190-ACZ, ABEZ-Intermediate, C, PC, R-Gear Red, Drive	6 3/4
199-CRR, CRRC	3 3/4
TH	5 13/16
SB, RB	6 7/8
RB-8" End Drive	10 3/8
SBI, RBI	7 1/16
190-NSP, NSPC, NSPS, NSPSS, 190-NSPEZ, NSPEZC	9 3/4
SC-Intermediate	6 13/16
SC-Diverter, Center Leg	16 1/16
PSB, PSBC	7 3/4
TW	7 3/8
CCEZ, CCAC	10 1/8
Prosport Induction	6 7/8
GAPPER, GAPPER L - INT /TAIL	6 7/8
GAPPER, GAPPER L - DRIVE MODULE	19 3/8
190 PREZ	4 3/4
190 PREZC	4 3/4
ART	8
199-CREZD	3 3/4
CRB	4 1/8

Support	MIN	MAX	Support	MIN	MAX
MSL-1	2	3	MS-05	19 5/8	25 5/8
MSL-2	3	4 3/4	MS-06	23 5/8	35 5/8
MSL-3	4 3/4	7 3/8	MS-07	33 5/8	45 5/8
MS-01	7	8 3/4	MS-08	45 5/8	57 5/8
MS-01.2	8	9 3/4	MS-09	57 5/8	69 5/8
MS-01.4	9	10 3/4	MS-10	69 5/8	81 5/8
MS-02	10	13	MS-11	79 5/8	91 5/8
MS-03	12 5/8	15 5/8	MS-12	91 5/8	103 5/8
MS-04	15 5/8	21 5/8			

MODELS	Top of Belt
TA-8" END DRIVE; TL-8" END DRIVE, CRB	6 1/4

Support	MIN	MAX	Support	MIN	MAX
MSD-0-10	3 3/4	3 3/4	MSD-03	15 13/16	18 13/16
MSD-0-11	4 3/4	4 3/4	MSD-04	18 13/16	24 13/16
MSD-0-12	5 3/4	5 3/4	MSD-05	22 13/16	28 13/16
MSD-0-13	6 3/4	6 3/4	MSD-06	26 13/16	38 13/16
MSD-0-14	7 3/4	7 3/4	MSD-07	36 13/16	48 13/16
MSD-0-15	8 3/4	8 3/4	MSD-08	48 13/16	60 13/16
MSD-0-16	9 3/4	9 3/4	MSD-09	60 13/16	72 13/16
MSD-01	10 5/16	12 1/16	MSD-10	72 13/16	84 13/16
MSD-01.2	11 5/16	13 1/16	MSD-11	82 13/16	94 13/16
MSD-01.4	12 5/16	14 1/16	MSD-12	94 13/16	106 13/16
MSD-02	13 5/16	16 5/16			



FLOOR SUPPORTS AND CASTERS

MODELS	Top of Belt
190 NSP, NSPEZ	9 ¾

Support	MIN	MAX
MSN-01	7	8 ¾
MSN-01.2	8	9 ¾
MSN-01.4	9	10 ¾
MSN-02	10	13
MSN-03	12 15/16	15 15/16
MSN-04	15 15/16	21 15/16
MSN-05	19 15/16	25 15/16

Support	MIN	MAX
MSN-06	23 15/16	35 15/16
MSN-07	33 15/16	45 15/16
MSN-08	45 15/16	57 15/16
MSN-09	57 15/16	69 15/16
MSN-10	69 15/16	81 15/16
MSN-11	79 15/16	91 15/16
MSN-12	91 15/16	103 15/16

MODELS	Top of Roller
25 / 26 SR, SRC - SET LOW	3 ¼
25 / 26 SR, SRC, SRS - SET HIGH	4 ¾
35 SR - SET LOW	4 ¼
35 SR - SET HIGH	4 ¾
25 / 26 CRR, CRRC, CRRCT	4 ¾
PLEZD	8

Support	MIN	MAX
HSL-01		½
HSL-02		½
HSL-03		½
HSL-04	½	2 ¼
HSL-05	2 ¼	6 ½
HS-01	6 ½	7 ½
HS-02	7 ½	10 ½
HS-03	10 ½	13 ½
HS-04	13 ½	16 ½

Support	MIN	MAX
HS-05	16 ½	19 ½
HS-06	19 ½	25 ½
HS-07	25 ½	31 ½
HS-08	31 ½	43 ½
HS-09	43 ½	55 ½
HS-10	55 ½	67 ½
HS-11	67 ½	79 ½
HS-12	79 ½	91 ½

MODELS	Top of Roller
25-CREZD	4 ¾
25 / 26 CRR, CRRC, CRRCT	4 ¾

Support	MIN	MAX
HSN-01	7 ½	10 ½
HSN-02	7 ½	10 ½
HSN-03	10 ½	13 ½
HSN-04	13 ½	16 ½
HSN-05	16 ½	19 ½
HSN-06	19 ½	25 ½

Support	MIN	MAX
HSN-07	25 ½	31 ½
HSN-08	31 ½	43 ½
HSN-09	43 ½	55 ½
HSN-10	55 ½	67 ½
HSN-11	67 ½	79 ½
HSN-12	79 ½	91 ½

MODELS	Top of Belt
WC-DRIVE	8 ½
WC-TAIL	5 ¾
138 / 190 ACC GATES (SPRING BALANCED)	9 ½
19 / 20 GATES (GAS SPRING)	12 ¾
138 / SW GATES (SPRING BALANCED)	3 ¾
19 / 20 GATES (SPRING BALANCED)	4 ¾

Support	MIN	MAX
RS-01	6 7/16	8 3/16
RS-01.2	7 7/16	9 3/16
RS-01.4	8 7/16	10 3/16
RS-02	9 7/16	12 7/16
RS-03	11 15/16	14 3/16
RS-04	14 15/16	20 15/16
RS-05	18 15/16	24 15/16

Support	MIN	MAX
RS-06	22 15/16	34 15/16
RS-07	32 15/16	44 15/16
RS-08	44 15/16	56 15/16
RS-09	56 15/16	68 15/16
RS-10	68 15/16	80 15/16
RS-11	78 15/16	90 15/16
RS-12	90 15/16	102 15/16

MODELS	Top of Blet
PCA	2 5/8

OVERHEAD DRIVE

Support	MIN	MAX
PCAS-01	6 7/16	8 3/16
PCAS-01.2	7 7/16	9 3/16
PCAS-01.4	8 7/16	10 3/16
PCAS-02	9 7/16	12 7/16
PCAS-03	11 15/16	14 3/16
PCAS-04	14 15/16	20 15/16
PCAS-05	18 15/16	24 15/16

Support	MIN	MAX
PCAS-06	22 15/16	34 15/16
PCAS-07	32 15/16	44 15/16
PCAS-08	44 15/16	56 15/16
PCAS-09	56 15/16	68 15/16
PCAS-10	68 15/16	80 15/16
PCAS-11	78 15/16	90 15/16
PCAS-12	90 15/16	102 15/16

UNDERSIDE DRIVE

Support	MIN	MAX
PCASU-04	14 15/16	20 15/16
PCASU-05	18 15/16	24 15/16
PCASU-06	22 15/16	34 15/16
PCASU-07	32 15/16	44 15/16
PCASU-08	44 15/16	56 15/16

Support	MIN	MAX
PCASU-09	56 15/16	68 15/16
PCASU-10	68 15/16	80 15/16
PCASU-11	78 15/16	90 15/16
PCASU-12	90 15/16	102 15/16

MODELS	Top of Channel
PCH	8 5/8

Support	MIN	MAX
PCHS-01	6 ½	7 ½
PCHS-02	7 ½	10 ½
PCHS-03	10 ½	13 ½
PCHS-04	13 ½	16 ½
PCHS-05	16 ½	19 ½
PCHS-06	19 ½	25 ½

Support	MIN	MAX
PCHS-07	25 ½	31 ½
PCHS-08	31 ½	43 ½
PCHS-09	43 ½	55 ½
PCHS-10	55 ½	67 ½
PCHS-11	67 ½	79 ½
PCHS-12	79 ½	91 ½

MODELS	Top of Side Channel
PCX	7 ¼

Support	MIN	MAX
PCXSL-01	2	3
PCXSL-02	3	4 ¾
PCXSL-03	4 ¾	7 ¾
PCXS-01	7	8 ¾
PCXS-01.2	8	9 ¾
PCXS-01.4	9	10 ¾
PCXS-02	10	13
PCXS-03	12 ½	15 ½
PCXS-04	15 ½	21 ½

Support	MIN	MAX
PCXS-05	19 ½	25 ½
PCXS-06	23 ½	35 ½
PCXS-07	33 ½	45 ½
PCXS-08	45 ½	57 ½
PCXS-09	57 ½	69 ½
PCXS-10	69 ½	81 ½
PCXS-11	79 ½	91 ½
PCXS-12	91 ½	103 ½



FLOOR SUPPORTS AND CASTERS

MODELS	Top of Belt
PROSORT 400 - DRIVE	38 ½
PROSORT 400 - INTER / TAIL	21 ½
PROSORT 400 - INDUCTION DRIVE	17 ¾
PROSORT 400 - INDUCTION	6 ¾
PROSORT 100 - DRIVE	29 ¼
PROSORT 100 - DRIVE (Low Elev. 75' Lg or Less)	19 ¼
PROSORT 100 - INTER / TAIL	14 ¼
PROSORT 100 - INDUCTION DRIVE	6 ¾
EXPRESSWAY	8 ¾

Support	MIN	MAX	Support	MIN	MAX
MHS-01	6 ¾	7 ¾	MHS-07	25 ¾	31 ¾
MHS-02	7 ¾	10 ¾	MHS-08	31 ¾	43 ¾
MHS-03	10 ¾	13 ¾	MHS-09	43 ¾	55 ¾
MHS-04	13 ¾	16 ¾	MHS-10	55 ¾	67 ¾
MHS-05	16 ¾	19 ¾	MHS-11	67 ¾	79 ¾
MHS-06	19 ¾	25 ¾	MHS-12	79 ¾	91 ¾

MODELS	Top of Roller
25 LRA	—
25 LREZ	—

INTERMEDIATE		DRIVE AND TAIL	
Support	NON- Adj.	Support	NON- Adj.
LRAS-12	12	LRADS-13	13
LRAS-13	13	LRADS-14	14
LRAS-14	14	LRADS-15	15
LRAS-15	15	LRADS-16	16
LRAS-16	16	LRADS-17	17
LRAS-17	17	LRADS-18	18
LRAS-18	18	LRADS-19	19
LRAS-19	19	LRADS-20	20
LRAS-20	20	LRADS-21	21
LRAS-21	21	LRADS-22	22
LRAS-22	22	LRADS-23	23
LRAS-23	23	LRADS-24	24
LRAS-24	24	LRADS-25	25
LRAS-25	25	LRADS-26	26
LRAS-26	26	LRADS-27	27
LRAS-27	27	LRADS-28	28
LRAS-28	28	LRADS-29	29
LRAS-29	29	LRADS-30	30

MODELS	Top of Chain
DC-60	—
DCEZ-60	—
DC-63	—
DCEZ-63	—
DC-82	—
DCEZ-82	—
DC-83	—
DCEZ-83	—

INTERMEDIATE / TAIL			INTERMEDIATE / TAIL			DRIVE AND TAIL		
Support	MIN	MAX	Support	MIN	MAX	Support	MIN	MAX
DCS-01	11	12	DC3S-01	11	12	DCDS-03	16	18
DCS-02	13	15	DC3S-02	13	15	DCDS-04	17	19
DCS-03	15	17	DC3S-03	15	17	DCDS-05	19	21
DCS-04	17	19	DC3S-04	17	19	DCDS-06	21	23
DCS-05	19	21	DC3S-05	19	21	DCDS-07	23	25
DCS-06	21	23	DC3S-06	21	23	DCDS-08	25	27
DCS-07	23	25	DC3S-07	23	25	DCDS-09	27	29
DCS-08	25	27	DC3S-08	25	27	DCDS-10	29	31
DCS-09	27	29	DC3S-09	27	29			
DCS-10	29	31	DC3S-10	29	31			

MODELS	Top of Slat
SL	—

Support	NON- Adj.	Support	NON- Adj.
SLSO-25	25	SLS-25	25
SLSO-26	26	SLS-26	26
SLSO-27	27	SLS-27	27
SLSO-28	28	SLS-28	28
SLSO-29	29	SLS-29	29
SLSO-30	30	SLS-30	30
SLSO-31	31	SLS-31	31
SLSO-32	32	SLS-32	32
SLSO-33	33	SLS-33	33
SLSO-34	34	SLS-34	34
SLSO-35	35	SLS-35	35
SLSO-36	36	SLS-36	36
SLSO-37	37	SLS-37	37
SLSO-38	38	SLS-38	38
SLSO-39	39	SLS-39	39
SLSO-40	40	SLS-40	40
SLSO-41	41	SLS-41	41
SLSO-42	42	SLS-42	42

MODELS	Top of Roller
36 CRRH, 36-CREZD	5 ¾
36 SR - Set High	5 ¾
36 SR - Set Low	4 ¾

Support	NON- Adj.	Support	NON- Adj.
HSF-09	4	HSF-20	14 ¾
HSF-10	4 ¾	HSF-21	15 ¾
HSF-11	5 ¾	HSF-22	16 ¾
HSF-12	6 ¾	HSF-23	17 ¾
HSF-13	7 ¾	HSF-24	18 ¾
HSF-14	8 ¾	HSF-25	19 ¾
HSF-15	9 ¾	HSF-26	20 ¾
HSF-16	10 ¾	HSF-27	21 ¾
HSF-17	11 ¾	HSF-28	22 ¾
HSF-18	12 ¾	HSF-29	23 ¾
HSF-19	13 ¾	HSF-30	24 ¾



FLOOR SUPPORTS AND CASTERS

MODELS	Top of Chain
CT-3000	12
CT-4000	14

Support	NON-ADJ.
CTS-01	1
CTS-02	2
CTS-03	3
CTS-04	4
CTS-05	5
CTS-06	6

MODELS	Top of Belt/Roller/Conveyor
A - Drive	11 1/4
A - Tail	4 1/2

Support	DRIVE		Support	DRIVE AND TAIL	
	MIN	MAX		MIN	MAX
RSAD-01	15	16 7/16	MSAT-01	11 1/2	13 3/4
RSAD-02	16 7/16	17 7/8	MSAT-02	12 1/2	14 1/4
RSAD-03	17 11/16	19 1/4	MSAT-03	13 1/2	15 1/4
RSAD-04	18 13/16	20 7/16	MSAT-04	14 1/2	17 1/2
RSAD-05	19 11/16	21 7/16	MSAT-05	17 1/8	20 1/8
RSAD-06	20 11/16	23 11/16	MSAT-06	20 1/8	26 1/8
RSAD-07	23 3/16	26 3/16	MSAT-07	24 1/8	30 1/8
RSAD-08	26 3/16	32 3/16	MSAT-08	28 1/8	40 1/8
RSAD-09	30 3/16	36 3/16	MSAT-09	38 1/8	50 1/8
RSAD-10	34 3/16	46 3/16	MSAT-10	50 1/8	62 1/8
RSAD-11	44 3/16	56 3/16	MSAT-11	62 1/8	74 1/8
RSAD-12	56 3/16	68 3/16	MSAT-12	74 1/8	86 1/8
RSAD-13	68 3/16	80 3/16	MSAT-13	84 1/8	96 1/8
RSAD-14	80 3/16	92 3/16	MSAT-14	96 1/8	108 1/8
RSAD-15	90 3/16	102 3/16	—	—	—
RSAD-16	102 3/16	114 3/16	—	—	—

MODELS	Top of Belt/Roller/Conveyor
R	11 1/4

Support	MIN	MAX	Support	MIN	MAX
RSR-01	13 1/8	14 3/16	RSR-09	28 5/16	34 3/16
RSR-02	14 3/16	16	RSR-10	32 3/16	44 5/16
RSR-03	15 13/16	17 7/16	RSR-11	42 3/16	54 3/16
RSR-04	16 13/16	18 3/16	RSR-12	54 3/16	66 3/16
RSR-05	17 13/16	19 3/16	RSR-13	66 3/16	78 3/16
RSR-06	18 13/16	21 13/16	RSR-14	78 3/16	90 3/16
RSR-07	21 5/16	24 5/16	RSR-15	88 5/16	100 5/16
RSR-08	24 3/16	30 3/16	RSR-16	100 5/16	112 5/16

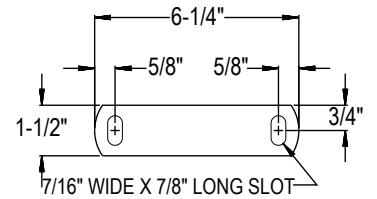
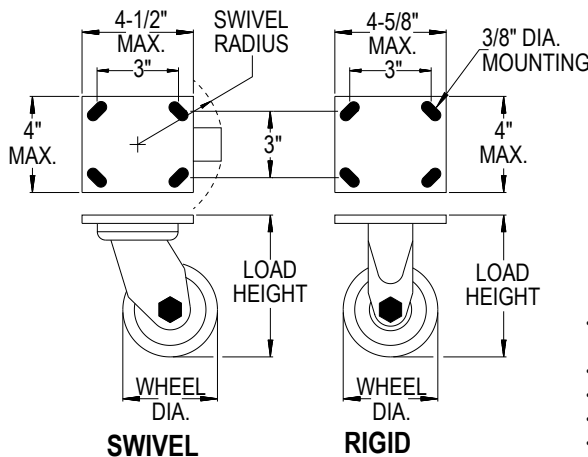
4 in. Caster

- 4 in. dia. steel or rubber wheel
- Swivel or rigid
- Load height—5 5/8 in.
- Swivel radius—3 3/8 in.
- Available with brakes or floor locks



Caster shown with optional Brake. Available with Swivel Caster only. 4 in. Caster shown.

Castors are easily bolted to conveyor floor supports for portable applications. Steel or rubber wheels available in either rigid or swivel type.



FOOT PLATE FOR FLOOR SUPPORT

6 in. Caster

- 6 in. dia. steel or rubber wheel
- Swivel or rigid
- Load height—7 1/2 in.
- Swivel radius—5 in.
- Available with brakes or floor locks



Caster shown with optional Floor Lock.

NOTE: Castors can limit overall capacity of conveyor.