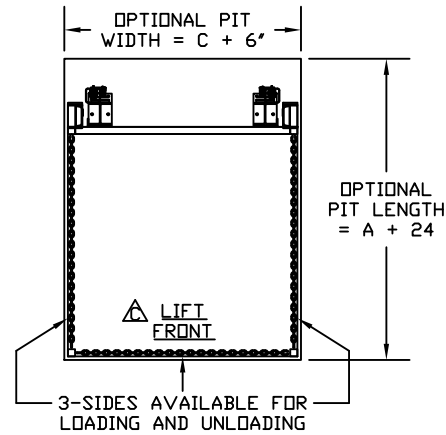
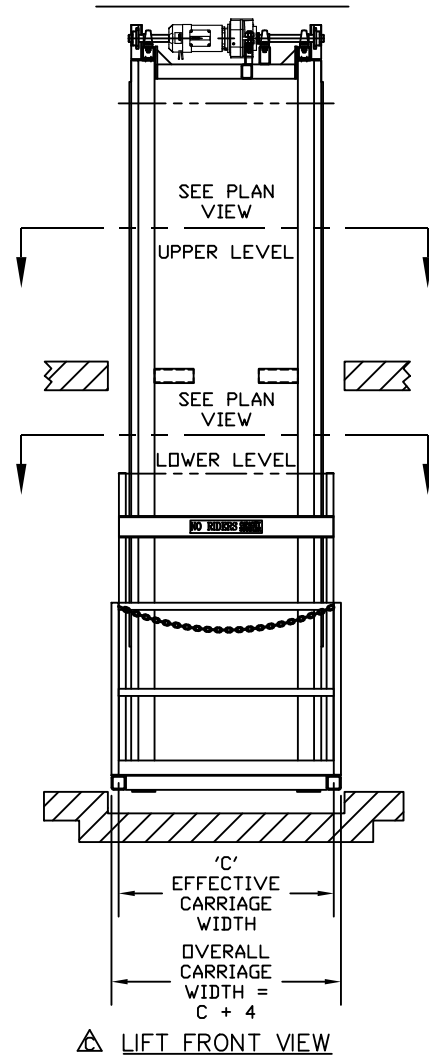


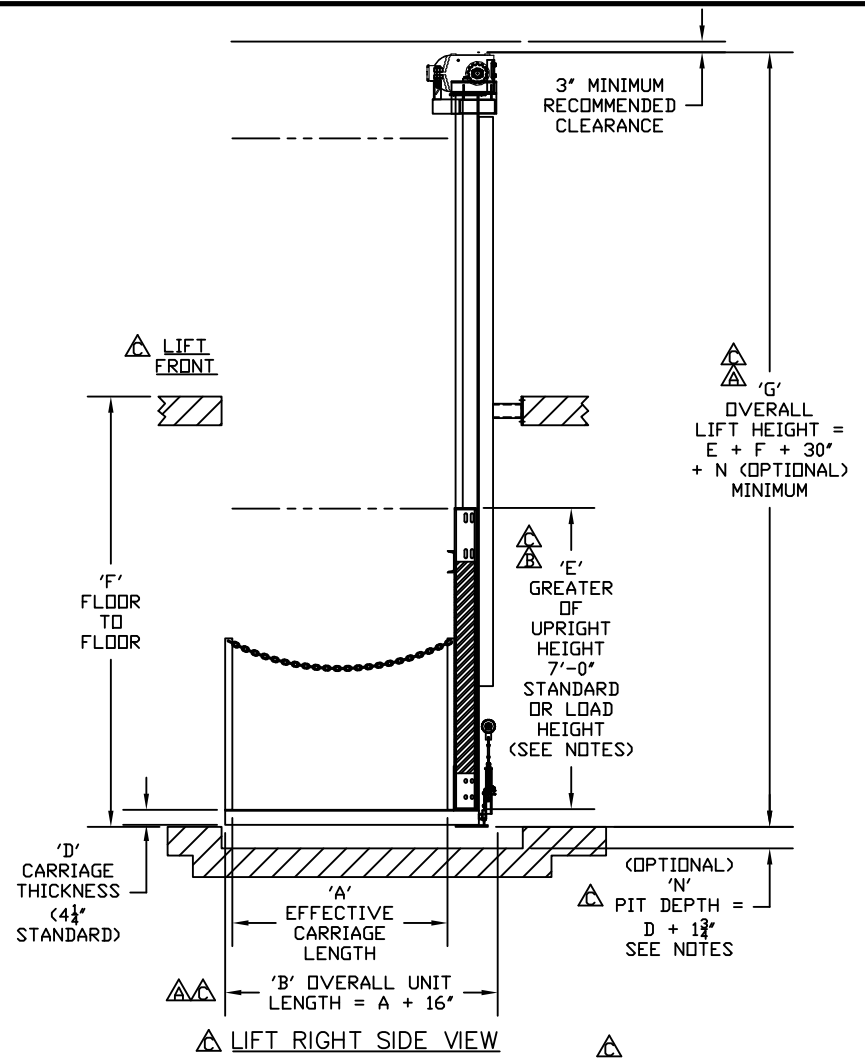
PLAN VIEW - UPPER LEVEL



PLAN VIEW - LOWER LEVEL



LIFT FRONT VIEW



LIFT RIGHT SIDE VIEW

**NOTES:**

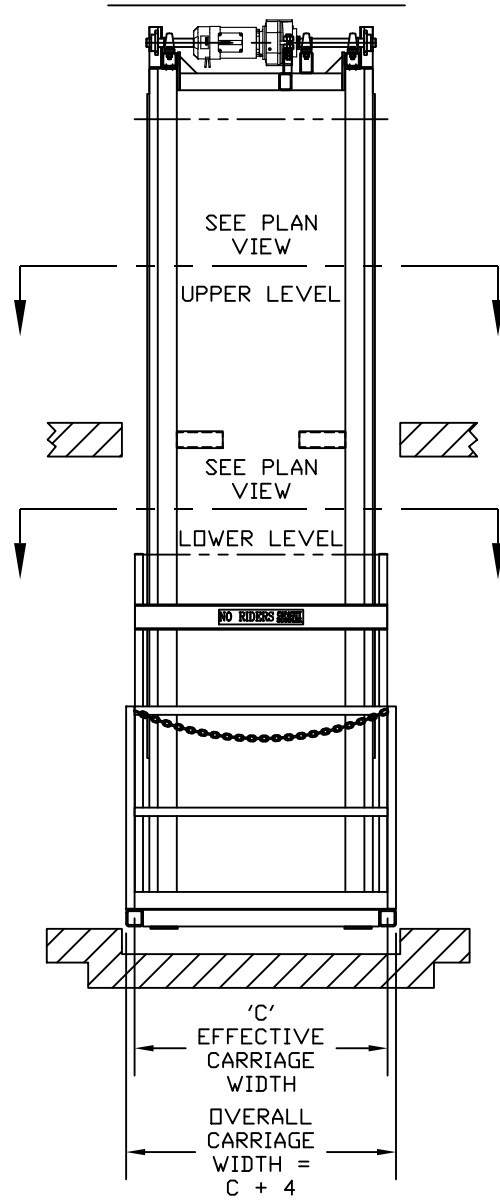
- 1.) ALL DIMENSIONS SHOWN REPRESENTATIVE OF AVERAGE APPLICATIONS. THESE DIMENSIONS WILL CHANGE BASED ON APPLICATION SPECIFIC CONDITIONS.
- 2.) CONSULT FACTORY BEFORE CONSTRUCTION OF PIT.
- 3.) IF CARRIAGE IS OVER 8'-0"SQ. & 4000#, CONSULT FACTORY.
- 4.) LOAD HEIGHT IS RELEVANT TO THE OVERALL HEIGHT OF THIS UNIT.

C	2/13/13	AEB	12.101
B	11/21/00	MRR	00.029
A	9/29/00	MN	00.019

**PFTOW** PFLOW INDUSTRIES, INC. (414) 352-9000  
 6720 North Teutonia Ave. (414) 352-9002 FAX  
 Milwaukee, WI 53209 info@pflow.com

TITLE SERIES M (CANTILEVER)  
 DIMENSIONAL INFORMATION

REV	DATE	BY	ECN	DATE	SCALE	DRAWING NUMBER	SHT	REV
				3/19/96	N.T.S.	9424-0003	1	C
REVISIONS				DRAWN	CHECKED			
				PCP				



△ LIFT FRONT VIEW

**NOTES:**

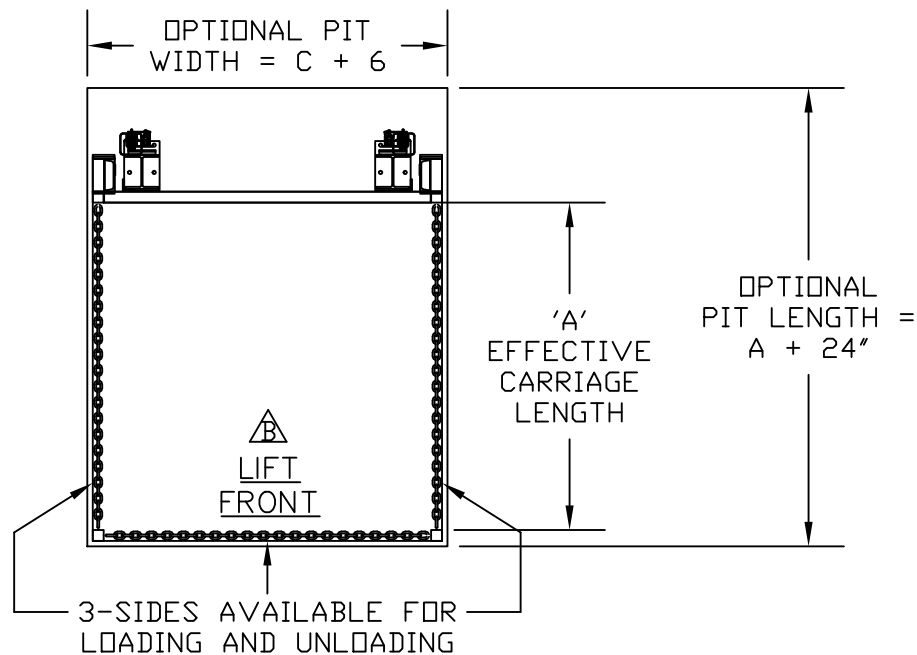
- 1.) ALL DIMENSIONS SHOWN REPRESENTATIVE OF AVERAGE APPLICATIONS. THESE DIMENSIONS WILL CHANGE BASED ON APPLICATION SPECIFIC CONDITIONS.
- 2.) CONSULT FACTORY BEFORE CONSTRUCTION OF PIT.
- 3.) IF CARRIAGE IS OVER 8'-0" SQ. & 4000#, CONSULT FACTORY.
- 4.) LOAD HEIGHT IS RELEVANT TO THE OVERALL HEIGHT OF THIS UNIT.

C	2/13/13	AEB	12.101
B	11/21/00	MRR	00.029
A	9/29/00	MN	00.019
REV	DATE	BY	ECN
REVISIONS			

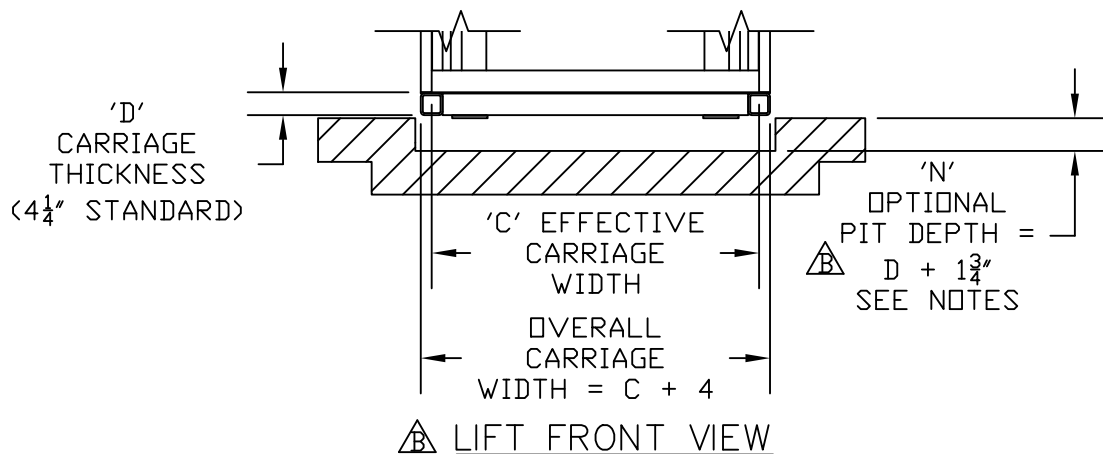


PFLOW INDUSTRIES, INC. (414) 352-9000  
 6720 North Teutonia Ave. (414) 352-9002 FAX  
 Milwaukee, WI 53209 info@pflow.com

TITLE					
SERIES M (CANTILEVER) DIMENSIONAL INFORMATION					
DATE	3/19/96	SCALE	N.T.S.	DRAWING NUMBER	9424-0003
DRAWN	PCP	CHECKED		SHT OF	2 OF 3
					REV C



PLAN VIEW — LOWER LEVEL



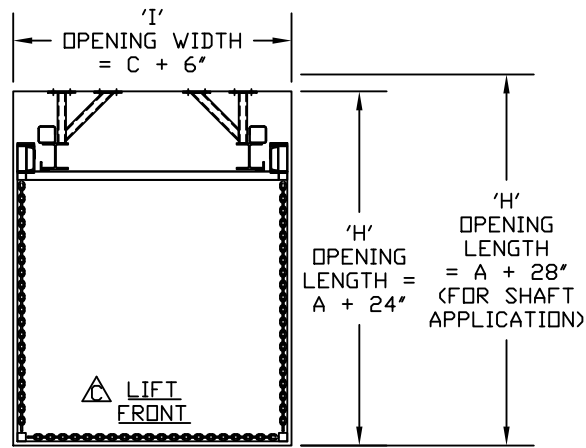
LIFT FRONT VIEW

NOTES:

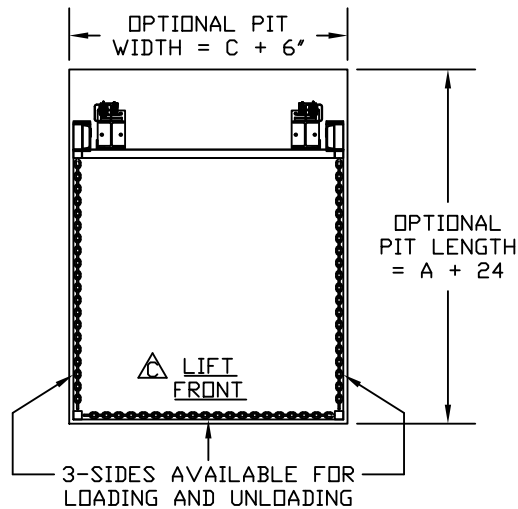
- 1.) ALL DIMENSIONS SHON REPRESENTATIVE OF AVERAGE APPLICATIONS. THESE DIMENSIONS WILL CHANGE BASED ON APPLICATION SPECIFIC CONDITIONS.
- 2.) CONSULT FACTORY BEFORE CONSTRUCTION OF PIT.
- 3.) IF CARRIAGE IS OVER 8'-0" SQ. & 4000#, CONSULT FACTORY.



		<b>PFLOW INDUSTRIES, INC.</b> 6720 North Teutonia Ave. Milwaukee, WI 53209		(414) 352-9000 (414) 352-9002 FAX info@pflow.com				
		<b>TITLE</b> SERIES M (CANTILEVER) PIT DIMENSIONAL INFORMATION						
REV	DATE	BY	ECN	DATE	SCALE	DRAWING NUMBER	SHT	REV
				01-01-99	N.T.S.	9424-0003-PIT	1	B
REVISIONS				DRAWN	CHECKED		OF	
				BL			1	



PLAN VIEW – UPPER LEVEL



PLAN VIEW – LOWER LEVEL

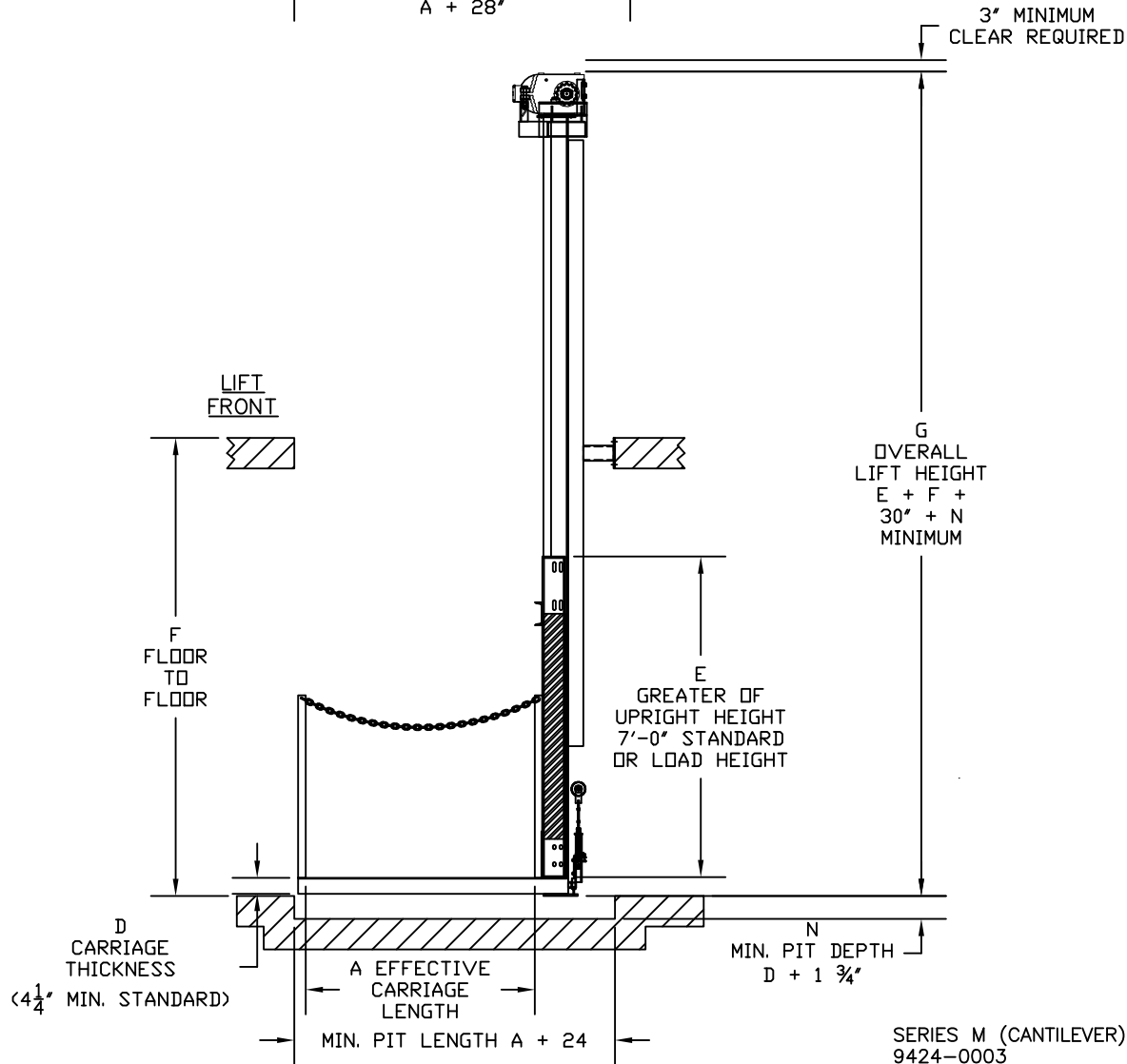
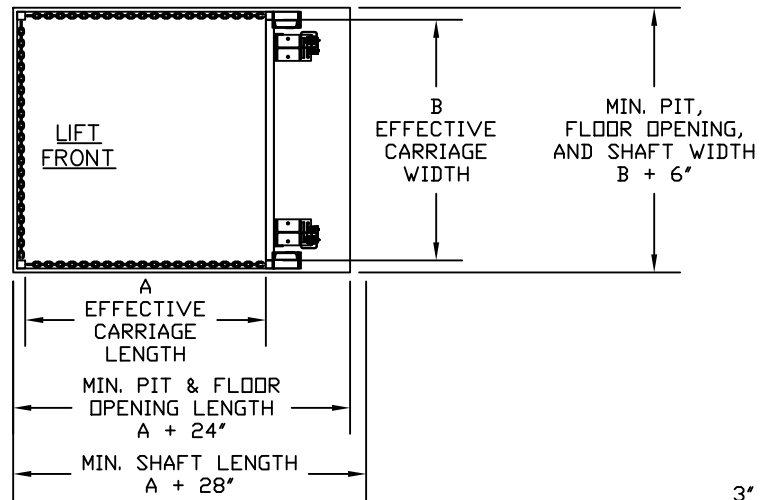
**NOTES:**

- 1.) ALL DIMENSIONS SHOWN REPRESENTATIVE OF AVERAGE APPLICATIONS. THESE DIMENSIONS WILL CHANGE BASED ON APPLICATION SPECIFIC CONDITIONS.
- 2.) CONSULT FACTORY BEFORE CONSTRUCTION OF PIT.
- 3.) IF CARRIAGE IS OVER 8'-0" SQ. & 4000#, CONSULT FACTORY.
- 4.) LOAD HEIGHT IS RELEVANT TO THE OVERALL HEIGHT OF THIS UNIT.

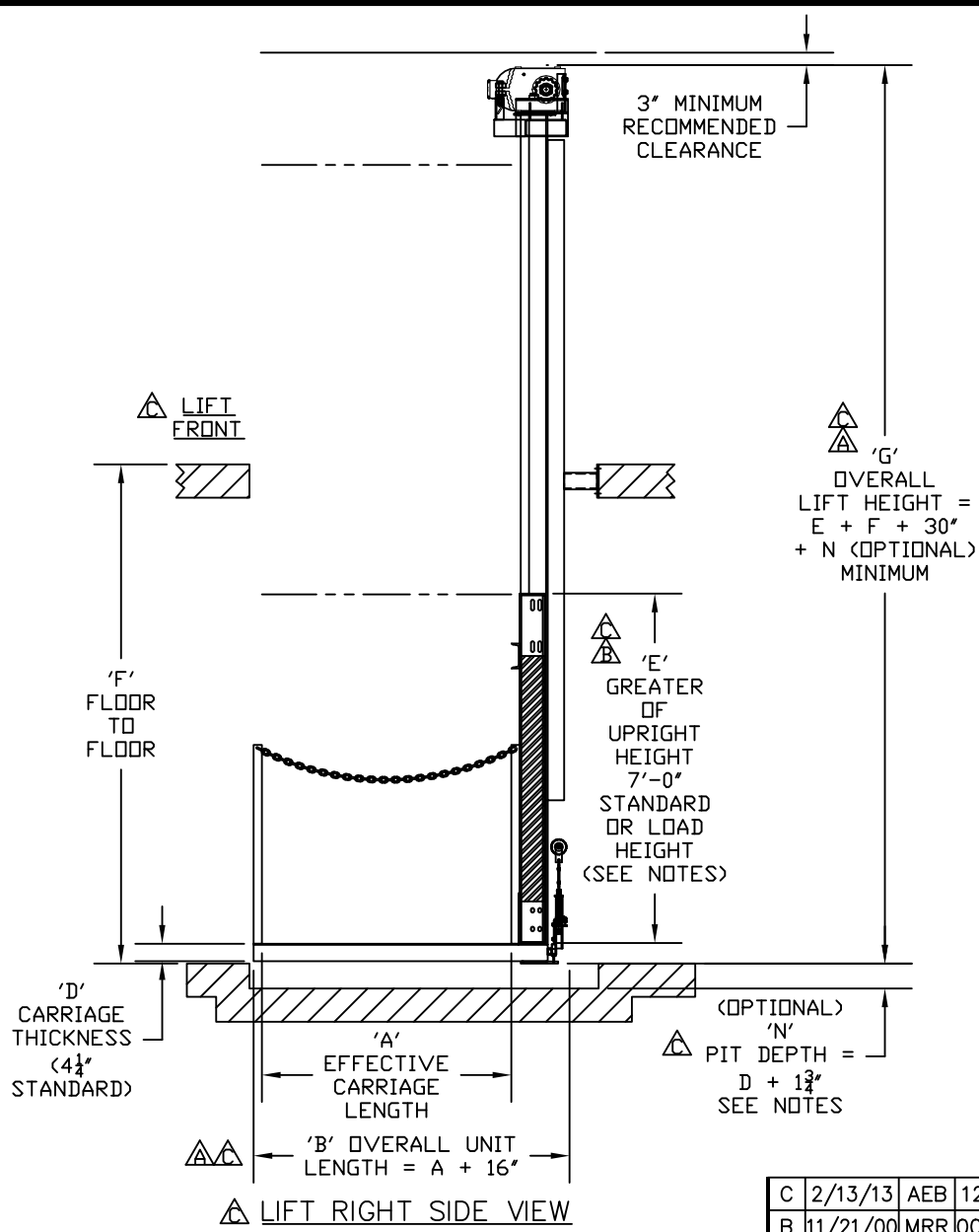
C	2/13/13	AEB	12.101
B	11/21/00	MRR	00.029
A	9/29/00	MN	00.019
REV	DATE	BY	ECN
REVISIONS			



		PFLOW INDUSTRIES, INC. (414) 352-9000 6720 North Teutonia Ave. (414) 352-9002 FAX Milwaukee, WI 53209 info@pflow.com	
		TITLE SERIES M (CANTILEVER) DIMENSIONAL INFORMATION	
DATE	3/19/96	SCALE	N.T.S.
DRAWN	PCP	CHECKED	
DRAWING NUMBER		9424-0003	
SHT	3	REV	C
OF	3		



SERIES M (CANTILEVER)  
9424-0003



△ △ 'G'  
OVERALL  
LIFT HEIGHT =  
E + F + 30"  
+ N (OPTIONAL)  
MINIMUM

△ △ 'E'  
GREATER  
OF  
UPRIGHT  
HEIGHT  
7'-0"  
STANDARD  
OR LOAD  
HEIGHT  
(SEE NOTES)

△ (OPTIONAL)  
'N'  
PIT DEPTH =  
D + 1 3/4"  
SEE NOTES

- NOTES:**
- 1.) ALL DIMENSIONS SHOWN REPRESENTATIVE OF AVERAGE APPLICATIONS. THESE DIMENSIONS WILL CHANGE BASED ON APPLICATION SPECIFIC CONDITIONS.
  - 2.) CONSULT FACTORY BEFORE CONSTRUCTION OF PIT.
  - 3.) IF CARRIAGE IS OVER 8'-0" SQ. & 4000#, CONSULT FACTORY.
  - 4.) LOAD HEIGHT IS RELEVANT TO THE OVERALL HEIGHT OF THIS UNIT.

C	2/13/13	AEB	12.101
B	11/21/00	MRR	00.029
A	9/29/00	MN	00.019

REV	DATE	BY	ECN
REVISIONS			

<b>PFLOW</b>		PFLOW INDUSTRIES, INC. (414) 352-9000 6720 North Teutonia Ave. (414) 352-9002 FAX Milwaukee, WI 53209 info@pflow.com	
TITLE <b>SERIES M (CANTILEVER) DIMENSIONAL INFORMATION</b>			
DATE	3/19/96	SCALE	N.T.S.
DRAWN	PCP	CHECKED	
DRAWING NUMBER		9424-0003	
SHT	1	REV	C
OF	3		