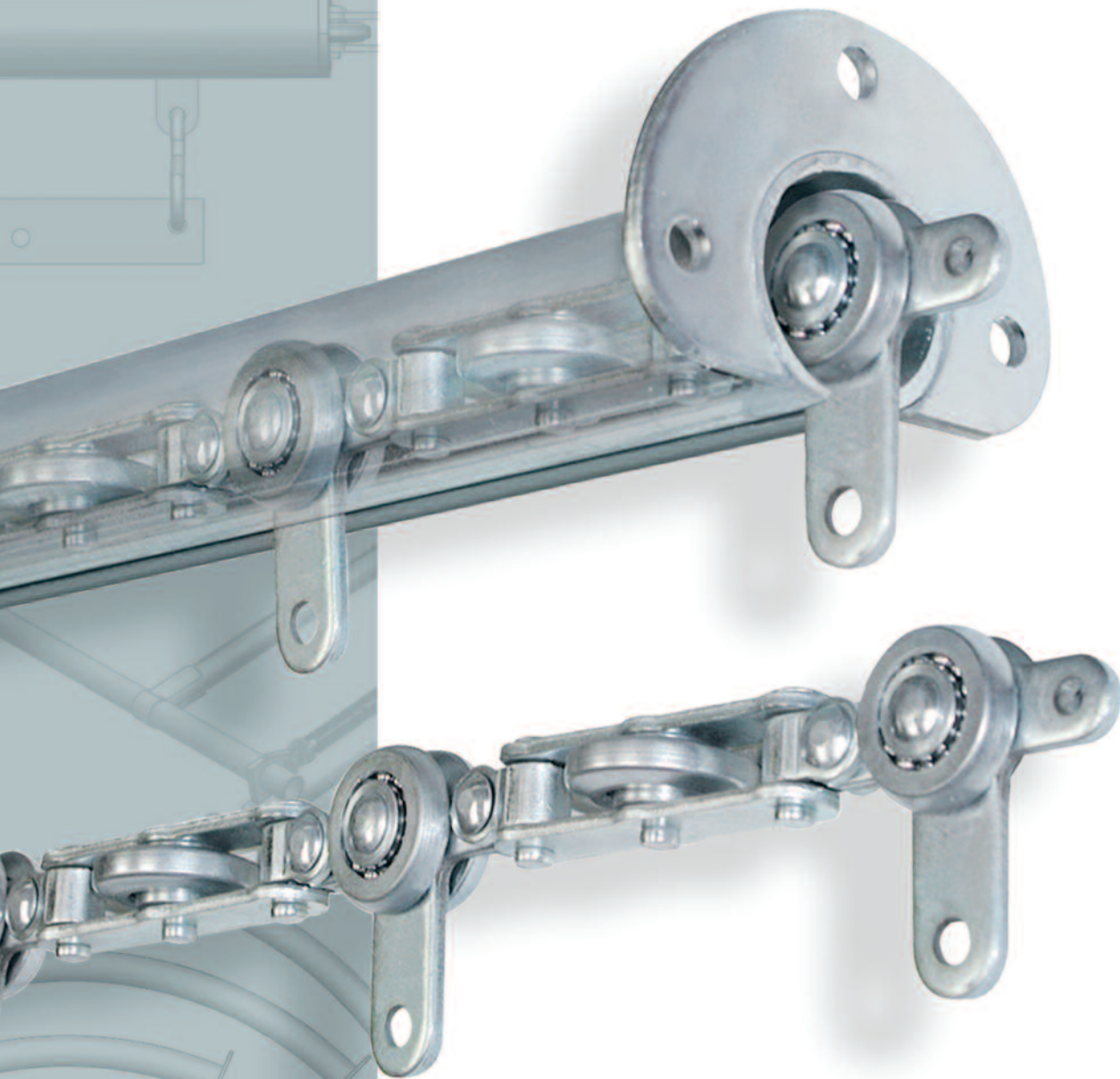


# **PACLINE™**

## **OVERHEAD CONVEYORS**

ISO 9001

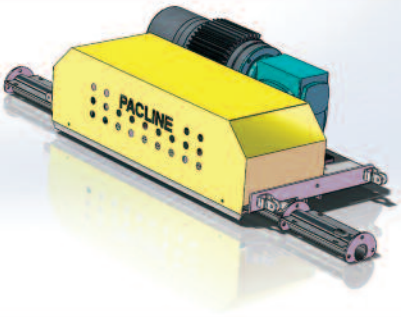


**PACLINE™**  
OVERHEAD CONVEYORS  
[WWW.PACLINE.COM](http://WWW.PACLINE.COM)

Signature Overhead System  
The **PAC-LINE™**

**Enclosed Track Overhead Conveyor**

Compact • Medium Capacity • Zinc Plated  
Modular Components • Bolted Assembly



PAC-LINE Drive



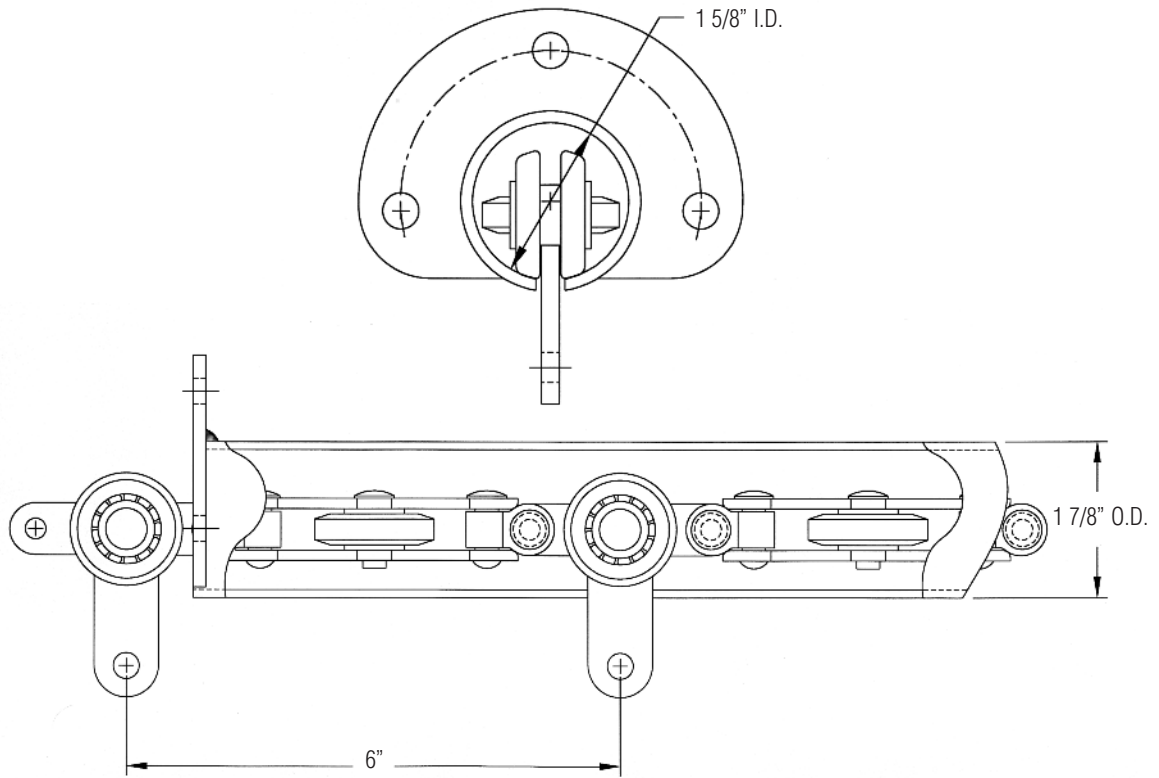
PAC-LINE Take-Up



PAC-LINE Curve



Distributed by:



<b>PAC-LINE™</b>	
Maximum Load Per Pendant	50 lbs.
Maximum Drive Pull	600 lbs.
Chain Breaking Load	3,700 lbs.
Nominal Chain Length Per Drive	600 ft.
Minimum Chain Friction Co-efficient	2.5%
Chain Pendant Pitch	6 inches
Standard Horizontal Curve Radius	24 inches*
Standard Vertical Curve Radius	24 inches
Maximum Drive Speed	60 F.P.M.
Maximum Incline Angle	90 degrees

\* 9", 12" and 18" radius curves available with engineering approval

PACLINE™

OVERHEAD CONVEYORS

WWW.PACLIN.COM

1-800-955-8860 • sales@pacline.com