

# **PACLINE™**

## **OVERHEAD CONVEYORS**

ISO 9001



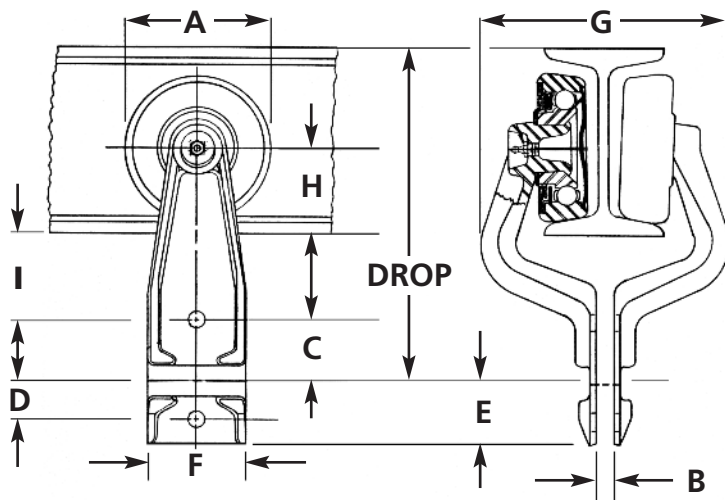
# **PAC-BEAM™**

## **I-Beam Trolley Conveyor**

Rugged Construction • High Capacity • Durable  
Simple and Proven • Inexpensive Solution

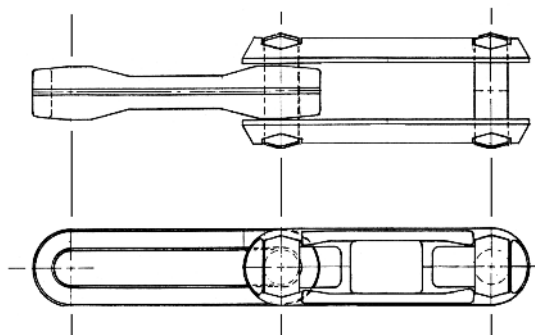
# PAC-BEAM<sup>™</sup> Specifications

| Trolley Size            | 6"          | 4"         |          | 3"         |         |
|-------------------------|-------------|------------|----------|------------|---------|
| Drop                    | 10"         | 8"         | 7 3/16"  | 5 1/2"     |         |
| Single Trolley Capacity | 1200 lbs    | 400 lbs    |          | 200 lbs    |         |
| Capacity with Load Bar  | 2400 lbs    | 800 lbs    |          | 400 lbs    |         |
| Trolley Set Wt.         | 19.3 lbs    | 6.5 lbs    |          | 3.1 lbs    |         |
| Chain Size              | X-678       | X-458      |          | X-348      |         |
| I-Beam Size #/ft        | 6" I @ 12.5 | 4" I @ 7.7 |          | 3" I @ 5.7 |         |
| Trolley Dimensions      | A           | 4 13/16"   | 3 3/16"  | 3 3/16"    | 2 5/16" |
|                         | B           | 1 1/2"     | 3/8"     | 3/8"       | 1/4"    |
|                         | C           | 1 5/8"     | 1 5/16"  | 1 5/16"    | 1"      |
|                         | D           | 1 1/8"     | 13/16"   | 13/16"     | 7/8"    |
|                         | E           | 1 11/16"   | 1 1/4"   | 1 1/4"     | 1 1/4"  |
|                         | F           | 3 3/8"     | 2 1/8"   | 2 1/8"     | 1 9/16" |
|                         | G           | 6 3/8"     | 5 3/8"   | 5 3/8"     | 4 1/16" |
|                         | H           | 2 11/16"   | 1 7/8"   | 1 7/8"     | 1 7/16" |
|                         | I           | 2 3/8"     | 2 11/16" | 1 7/8"     | 1 1/2"  |



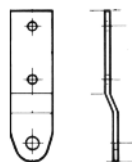
| Chain Size               | 6"          | 4"       | 3"       |       |
|--------------------------|-------------|----------|----------|-------|
| Part Number              | X-678       | X-458    | X-348    |       |
| Ultimate Strength (lbs)  | 85,000      | 48,000   | 24,000   |       |
| Weight per Foot (lbs)    | 6.7         | 3.2      | 2.2      |       |
| Chain Pull               | Maximum     | 6,500    | 3,500    | 2,000 |
| Cap (lbs)                | Recommended | 4,500    | 2,500    | 1,500 |
| Vertical Curve           | 12"         | 10 ft.   | 5 ft.    |       |
| Minimum Radius (ft)      | 16"         | 8 ft.    |          |       |
| Trolley Spacing (inches) | 18"         | 6 ft.    |          |       |
| Horizontal Turns         | 24"         | 15 ft.   | 10 ft.   | 8 ft. |
| Minimum Radius           | 30"         | 10 ft.   |          |       |
| Roller Lt. C.P.          | 36"         | 20 ft.   |          |       |
| Roller Max. C.P.         | 36" Rad.    | 18" Rad. | 18" Rad. |       |
| Wheel Lt. C.P.           | 48" Rad.    | 24" Rad. | 18" Rad. |       |
| Wheel Max. C.P.          | 36" Dia.    | 24" Dia. | 24" Dia. |       |
|                          | 48" Dia.    | 36" Dia. | 24" Dia. |       |

## X-Type Rivetless (6", 4", 3")

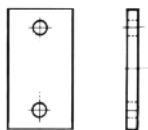


## TROLLEY ATTACHMENTS

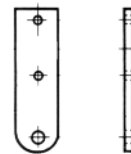
"H" Attachment



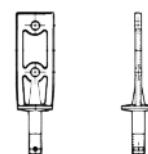
"I" Attachment



"C" Attachment



"B" Attachment



Distributed by:

**PACLIN<sup>™</sup>**  
**OVERHEAD CONVEYORS**  
[WWW.PACLIN.COM](http://WWW.PACLIN.COM)

1-800-955-8860 • sales@pacline.com